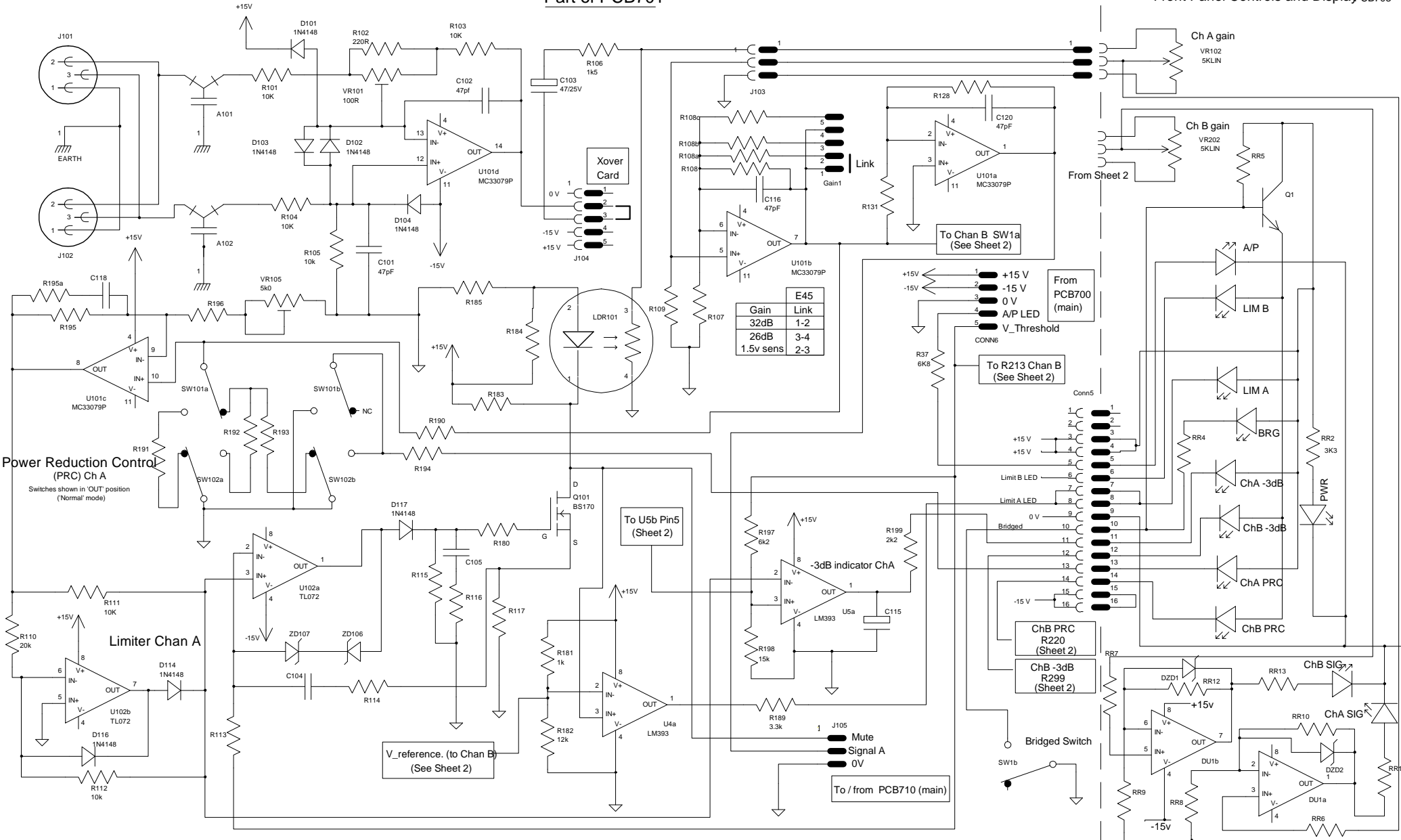


Part of PCB701

Front Panel Controls and Display PCB703



Power Reduction Control (PRC) Ch A
Switches shown in 'OUT' position ('Normal' mode)

Limiter Chan A

-3dB indicator ChA

V_reference. (to Chan B)
(See Sheet 2)

To U5b Pin5
(Sheet 2)

ChB PRC
R220
(Sheet 2)

ChB -3dB
R299
(Sheet 2)

To / from PCB710 (main)

Bridged Switch